

HMD Modular Distribution Rack



The new Gepco[®] Brand HMD Modular Distribution Rack provides a field terminatable solution for the deployment of hybrid fiber connectors in an expandable chassis system. With internal cable management and component SC plus electrical element breakout, the HMD allows for all electrical and fiber termination to occur within the chassis, streamlining and protecting the cable breakout.

Unique to the HMD, the SC breakout at each position allows for the hybrid connectors to be replaced, serviced or expanded via a quick disconnect. The SC termination of the interconnecting cable between HMD racks can be field terminated with epoxy and polish, quick cleave, or fusion splice SC fiber connectors. To facilitate cable management of SC fusion spliced connectors, each breakout position also features an additional splice holder clip within the HMD chassis.

For flexibility in cable options, the HMD features configurable rear cable ports (six plus two) that accommodate a wide range of cable types and combinations. The HMD can be terminated to a variety of combinations of HDC920 9.2mm hybrid fiber, discrete electrical and fiber cables, or up to two HDC3R 3-channel hybrid cables.

All HMD configurations come with six electrically isolated connector positions for expandability. Each position can be ordered or expanded with SMPTE 304M plug, SMPTE 304M socket, or Neutrik[®] opticalCON[®] format connectors, with future connector modules available as they are released.

FEATURES & BENEFITS

- Internal SC and Electrical Breakout Distribution
- Internal Cable Management for Security and Streamlined Breakout
- Field Installable
- Mating Fiber Can Be Terminated with Polish, Quick Cleave, or Fusion Splice SC Connectors
- Can Be Spliced with Any Type of Fusion Splicer (with SC Splice Connector Option)
- Electrically Isolated Connector Mounts
- Rear Cable Ports for Maximum Cable Strain Relief
- Easy to Expand, 6-Channel Frame
- Connector Modules for SMPTE 304M and opticalCON[®] Format Connectors



Terminate mating cable with SC connector options



Rear cable ports

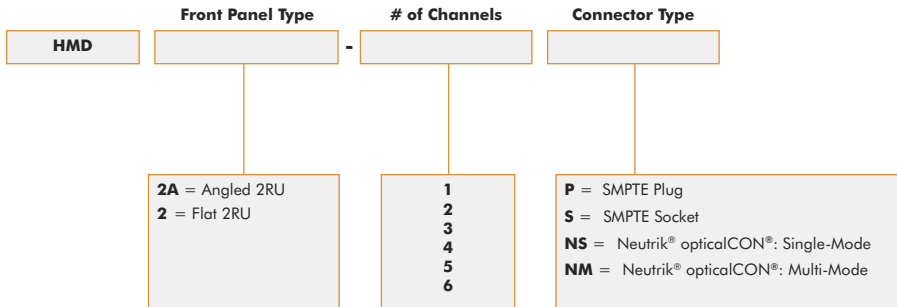


Internal SC and electrical breakout



Expandable, electrically isolated connector modules

Ordering & Product Specifications



Mechanical Specifications

Dimensions: 2RU-3.5" H x 19" W x 5.75" D

Optical Connector Specifications:

LEMO® SMPTE 304M or Neutrik® opticalCON® : 1 per Channel (2 Fibers)
 SC-PC Duplex Breakout: 1 per Channel (2 Fibers)
 -55dB Typical RL, 0.4dB Max IL Connector End

Electrical Breakout:

6-Position AMP® MATE-N-LOK® Connector

Rear Panel Cable Management:

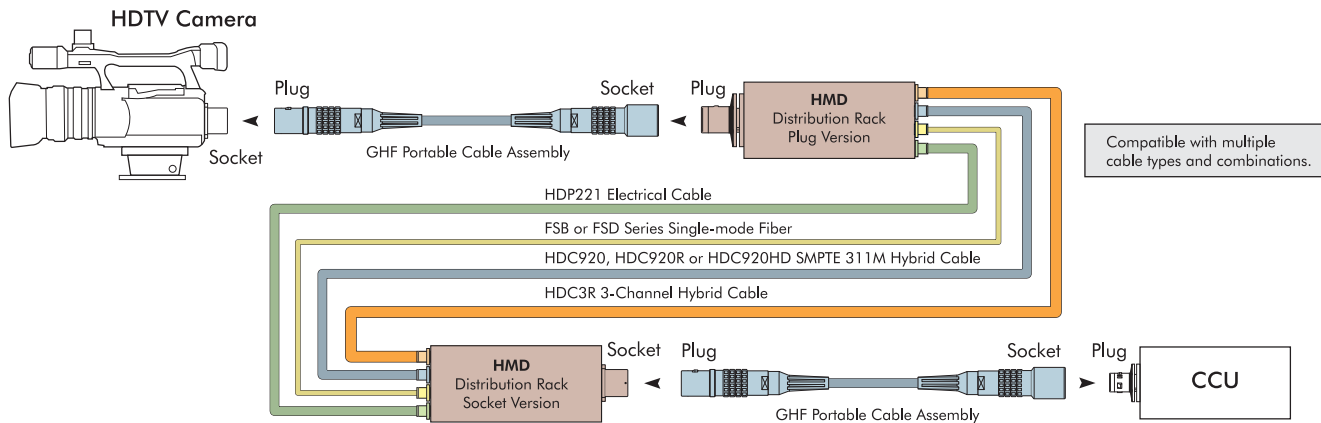
(6) Ports for Electrical/Hybrid Fiber Cable
 (2) Ports for Fiber/3-Channel Hybrid Fiber Cable

Included Accessories:

Mating AMP® MATE-N-LOK® Connector(s)
 Gland Seals for HDP221, HDC920 or HDC920R
 Gland Seals for 2- to 4-Channel Distribution Fiber
 Gland Seals for 6- to 12-Channel Distribution Fiber

Optional Accessories

Part Number	Description	Compatibility Notes
GSKIT-HDP221P	Gland Seal Kit for HDP221P Plenum Electrical Cable	Kit for One Strain Relief
GSKIT-BKFBR-S	Gland Seal Kit for Breakout Fiber: 2-, 4- or 6-Channel Riser or Plenum, 8-Channel Plenum	Kit for One Strain Relief
GSKIT-BKFBR-L	Gland Seal Kit for Breakout Fiber: 8-Channel Riser, 12-Channel Riser or Plenum	Kit for One Strain Relief
GSKIT-HDC3R	Gland Seal Kit for HDC3R 3-Channel Hybrid Cable	Kit for One Strain Relief
HMD-EKIT-P	SMPTE Plug Expansion Module Kit	For HMD Frames
HMD-EKIT-S	SMPTE Socket Expansion Module Kit	For HMD Frames
HMD-EKIT-NS	Neutrik® opticalCON® Single-Mode Expansion Module Kit	For HMD Frames
HMD-EKIT-NM	Neutrik® opticalCON® Multi-Mode Expansion Module Kit	For HMD Frames



GENERAL CABLE and GEPSCO are trademarks of General Cable Technologies Corporation.
 Neutrik and opticalCON are registered trademarks of Neutrik AG. AMP and MATE-N-LOK are registered trademarks of Whittaker Corporation.
 ©2010. General Cable Technologies Corporation, Highland Heights, KY 41076. All rights reserved. Printed in USA.
 Form No. GEP-0012-0310