

HDR1 High-Density, Hybrid Fiber Distribution Rack



The new Gepco® Brand HDR1 High-Density Distribution Rack delivers a hybrid fiber breakout or patching solution in a compact 1RU frame. With the highest density available, the HDR1 can deliver up to six positions in a 1RU space, or up to 12 positions in a 2RU space (with two HDR1 units). Commonly used for machine room patching of multiple camera positions to available CCU control units, the HDR1 provides a streamlined cross-connect or general purpose hybrid breakout system.

Each hybrid connector position of the HDR1 externally breaks out to separate fiber and electrical connectors on the rear of the panel. To provide rugged external connector interfacing, the HDR1 utilizes ST fiber and metal circular, 5-pin electrical connectors. These connector breakout formats can easily be terminated onsite without the need for specialized hybrid connector tooling.

All positions on the new HDR1 are completely electrically isolated by nonconductive connector mounts on the front, and the hybrid connector shells are wired to isolated pins on the rear of the chassis. For custom user-labeling and identification, each position features a designation strip. Available with SMPTE 304M plug, SMPTE 304M socket, or Neutrik® opticalCON® format connectors, every configuration comes loaded in a standard frame that can be expanded up to six channels with pre-terminated connector modules.

FEATURES & BENEFITS

- High-Density 1RU Chassis
- External ST Fiber and Metal Circular Electrical Breakout
- Electrically Isolated Connector Mounts
- Designation Strip for Each Position
- Ideal for Machine Room Patching
- Field Installable and Terminatable
- Expandable 6-Channel Frame
- Connector Modules for SMPTE 304M and opticalCON® Format Connectors

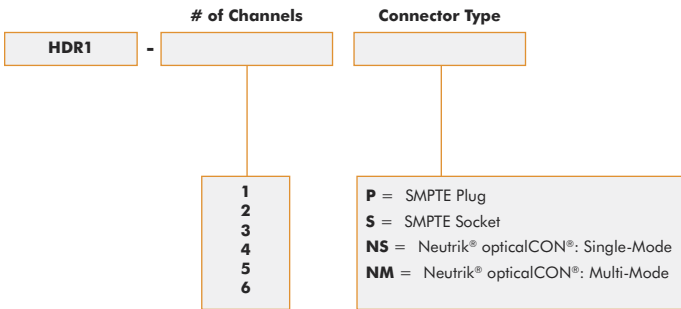


Electrically isolated connector modules



Rear panel with fiber and electrical component breakout

Ordering & Product Specifications



Mechanical Specifications

Dimensions: 1RU-1.75" H x 19" W x 3" D

Optical Connector Specifications:
LEMO® SMPTE 304M: 1 per Channel (2 Fibers)
ST Breakout: 2 per Channel (2 Fibers)
-55dB Typical RL, 0.4dB Max IL

Electrical Breakout:
5-Pin Metal AMP® CPC

Included Accessories:
Mating AMP® 5-Pin CPC Connectors

Optional Accessories

Part Number	Description	Compatibility Notes
HDR1-EKIT-P	SMPTE Plug Expansion Module Kit	For HDR1 Frames
HDR1-EKIT-S	SMPTE Socket Expansion Module Kit	For HDR1 Frames
HDR1-EKIT-NS	Neutrik® opticalCON® Single-Mode Expansion Module Kit	For HDR1 Frames
HDR1-EKIT-NM	Neutrik® opticalCON® Multi-Mode Expansion Module Kit	For HDR1 Frames

